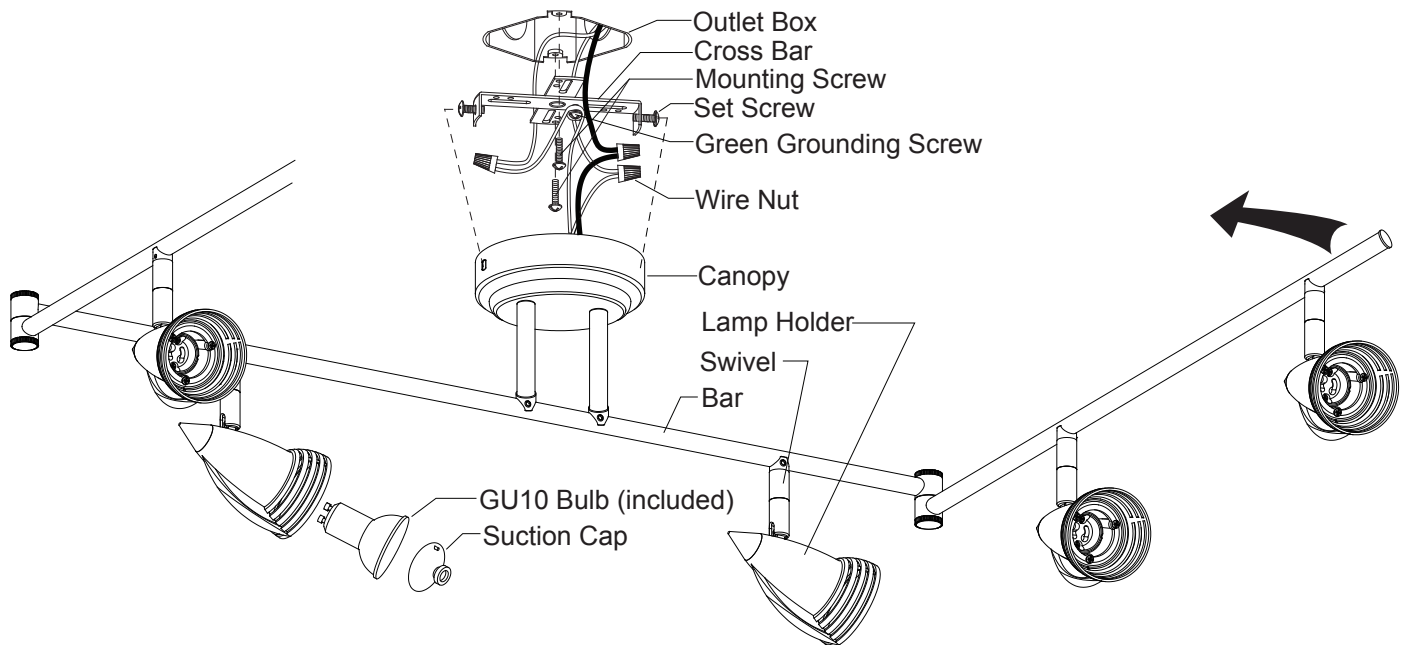


# ASSEMBLY AND INSTALLATION INSTRUCTIONS

SP34166

**WARNING: BE SURE TO SHUT OFF POWER AT THE MAIN FUSE OR CIRCUIT BREAKER BOX BEFORE INSTALLING OR SERVICING THIS FIXTURE.**

**NOTE: 1. Before installing, consult local electrical codes for wiring and grounding requirements.  
2. READ AND SAVE THIS INSTRUCTION.**



1. Unscrew the set screws from the sides of the cross bar.
2. Attach the cross bar to the outlet box by using two mounting screws.
3. Pull out the outlet wires and house grounding wire from the outlet box. Make wire connections using the wire nuts:
  - The black wire from the fixture to the black wire from the power source.
  - The white wire from the fixture to the white wire from the power source.
  - Attach the fixture grounding wire to the cross bar with the green grounding screw. Then connect it to the house grounding wire with a wire nut.Carefully put the wires back into the outlet box.
4. Attach the canopy to the cross bar by aiming at the holes, then secure it with two set screws.
5. Install bulbs (Included).
  - a. Attach the suction cap to the top surface of the halogen bulb lens.
  - b. Insert and twist the bulb (GU10 BASE MR16C BULB ONLY) into the socket of the lamp holder using the suction cap.
  - c. Remove the suction cap from the halogen bulb lens by pulling the knob of the suction cap.

**Note: Do not discard the suction cap, it will be needed when replacing the bulb.**  
**Note: Adjust the fixture to a desired position by using the swivels and the bars.**
6. Turn on the power at the main fuse or circuit breaker box.